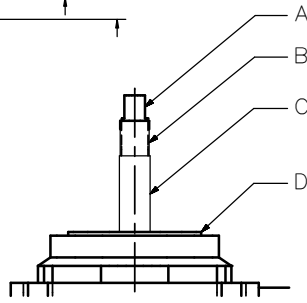
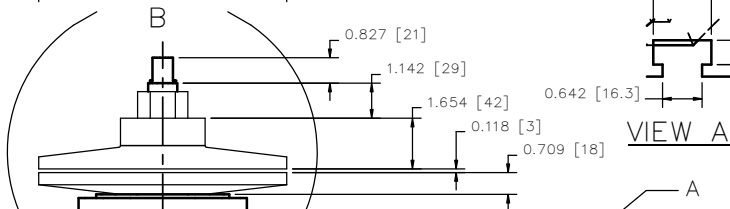
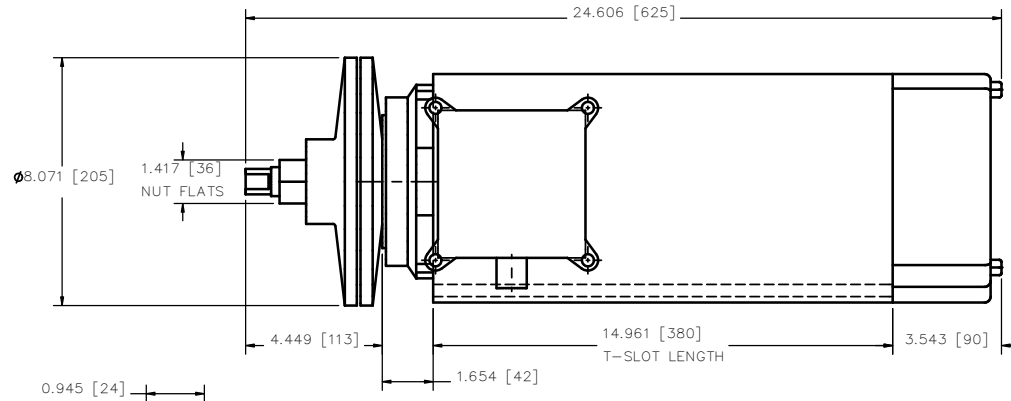
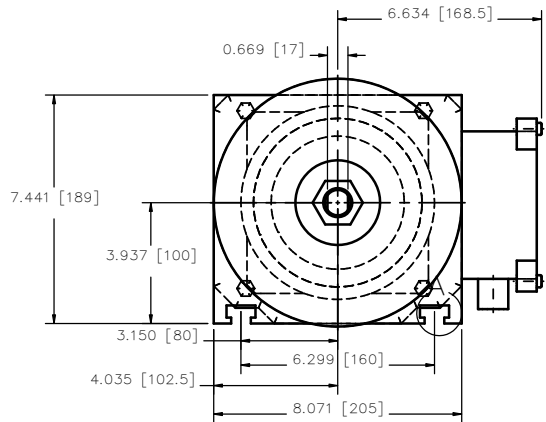


MODEL H100L



A	WRENCH FLAT
B	STANDARD M24-2 RHT or LHT OPTION:
C	STANDARD 1.00 INCH DIA. OPTION:
D	STANDARD SAW FLANGES OPTION: TOOL/BEARING SPACER

WEIGHT: ~?68 kg
~?149.6 lb.